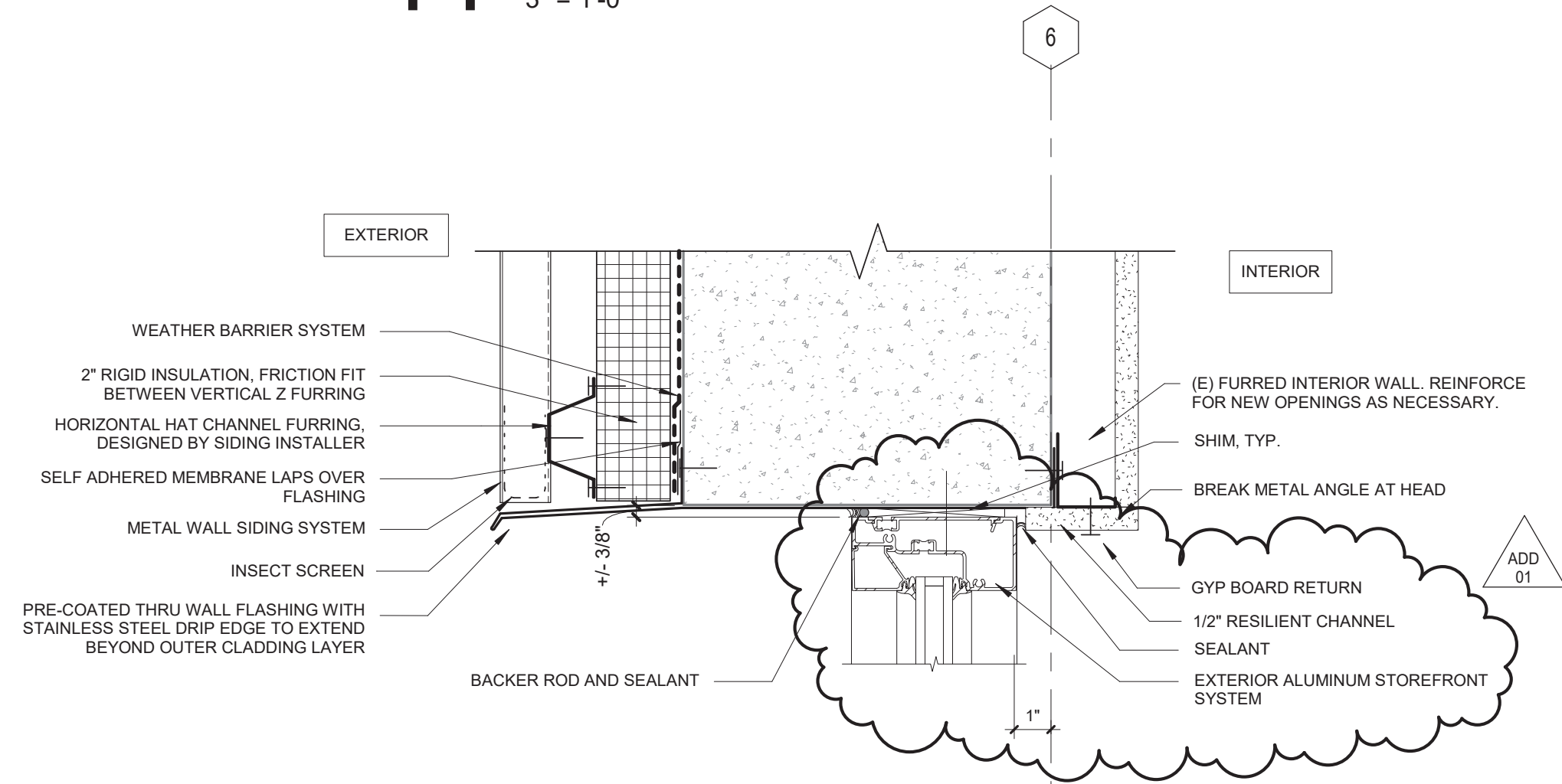
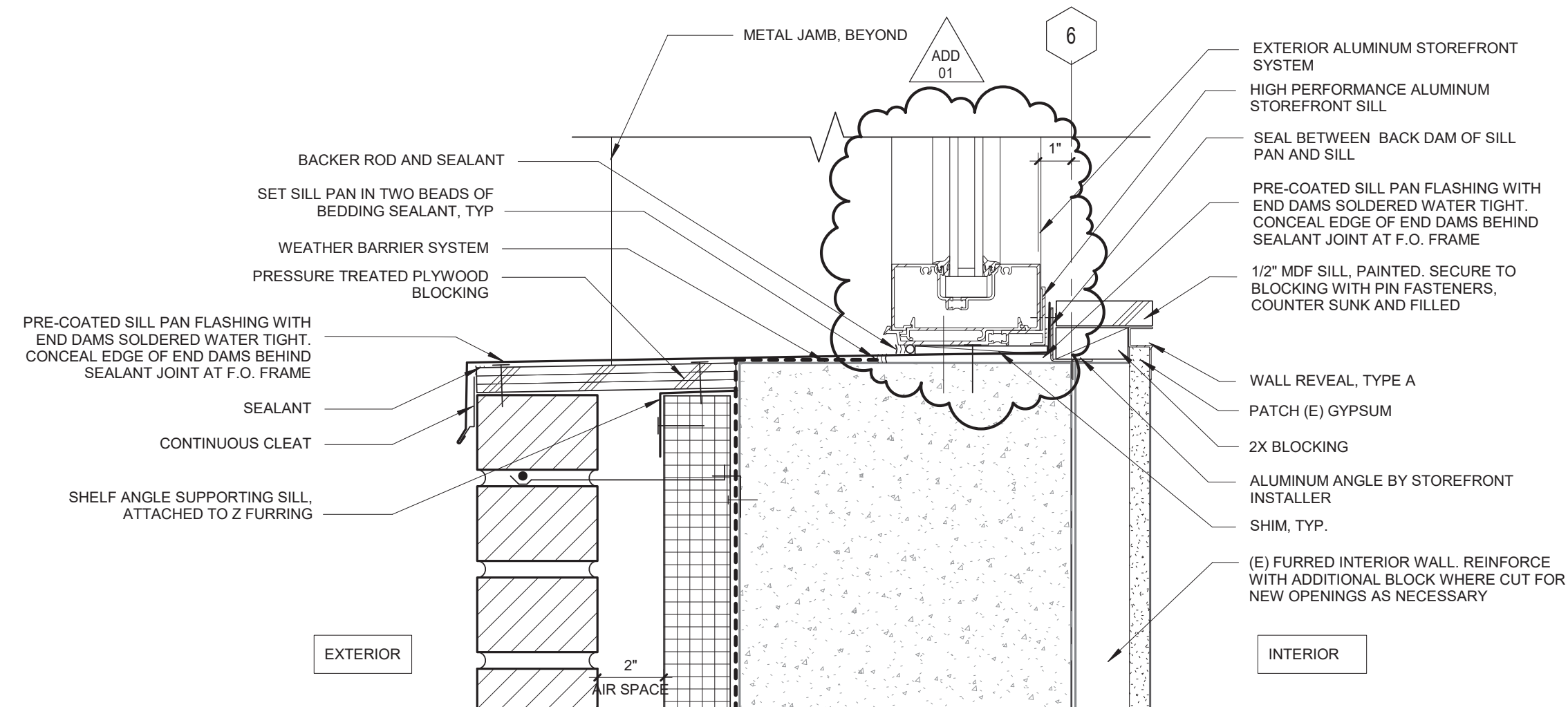


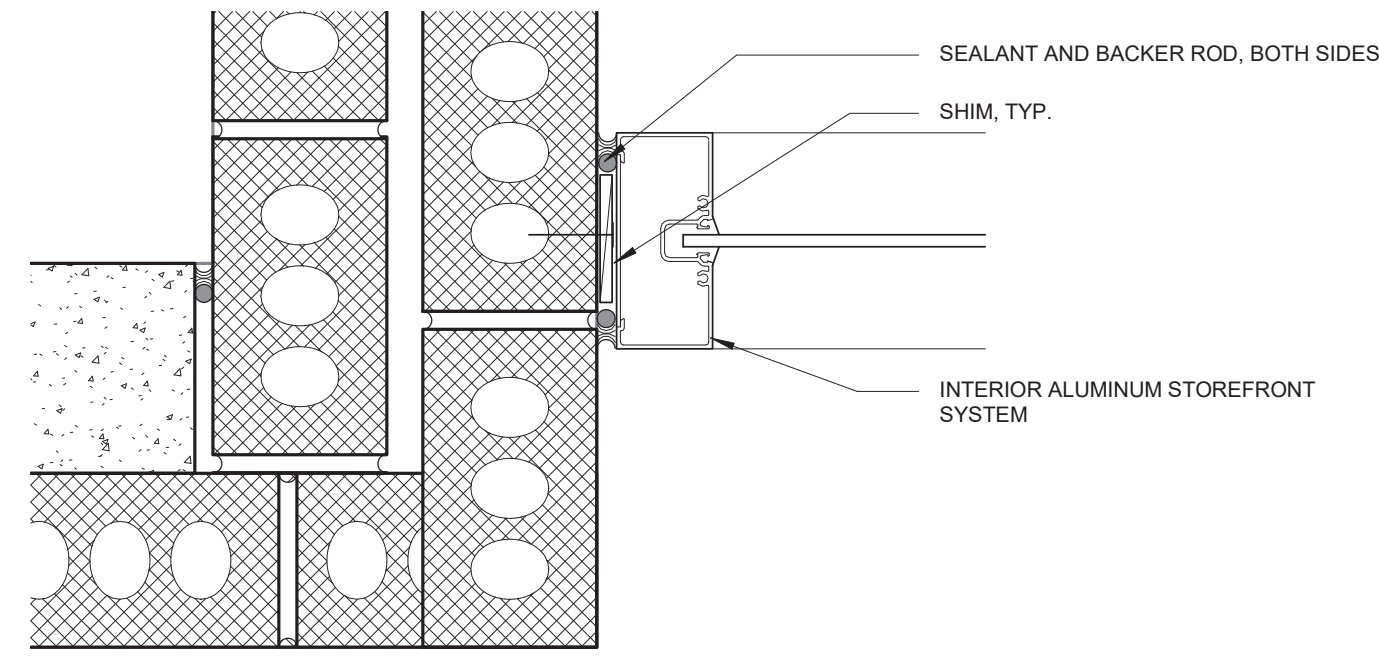
11 EXTERIOR STOREFRONT JAMB
3" = 1'-0"



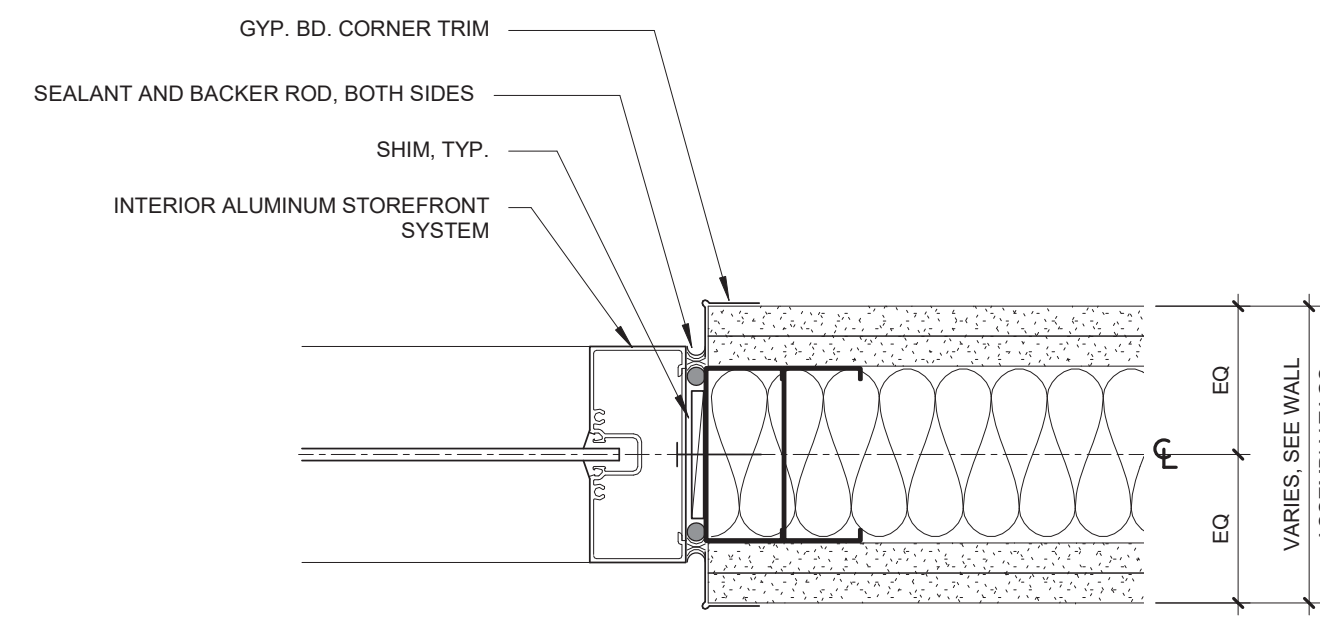
10 EXTERIOR STOREFRONT HEAD
3" = 1'-0"



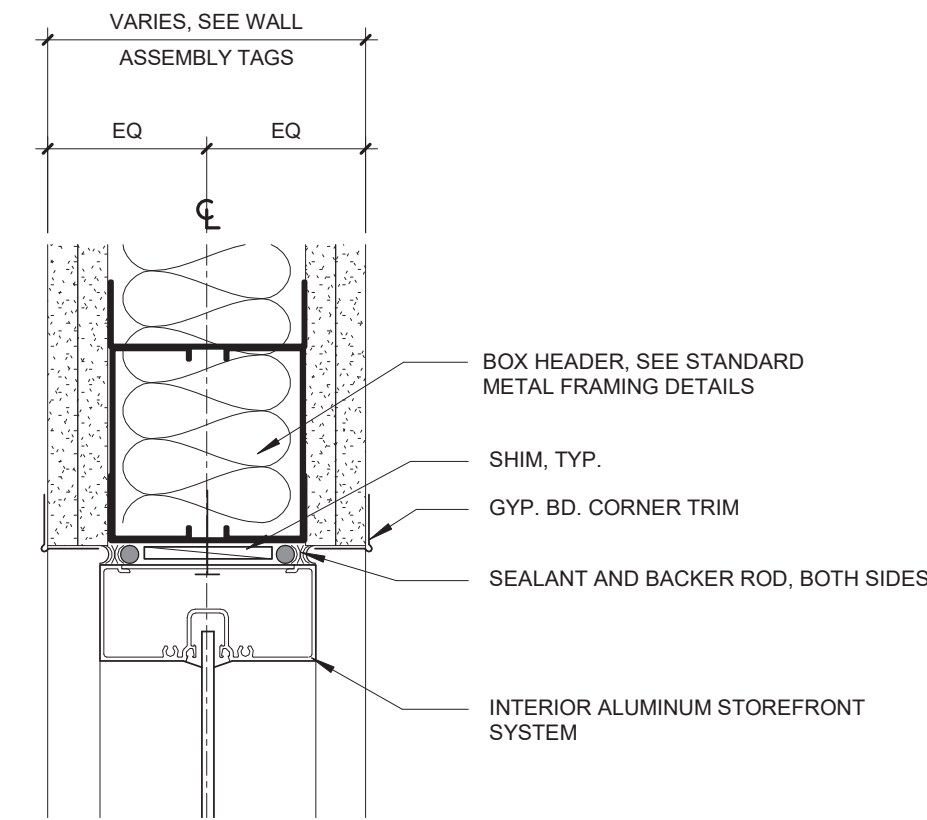
9 EXTERIOR STOREFRONT SILL
3" = 1'-0"



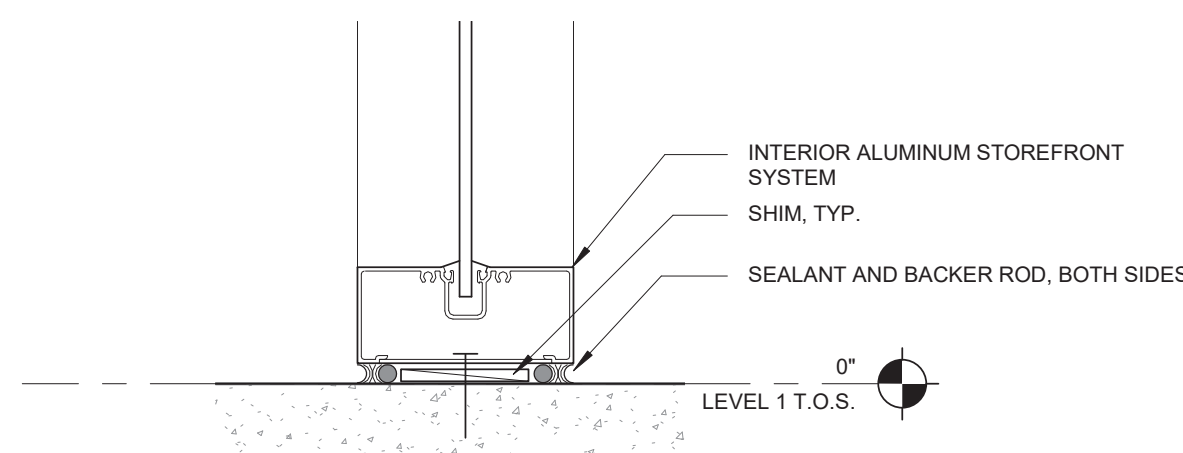
8 STOREFRONT JAMB AT (E) MASONRY WALL
3" = 1'-0"



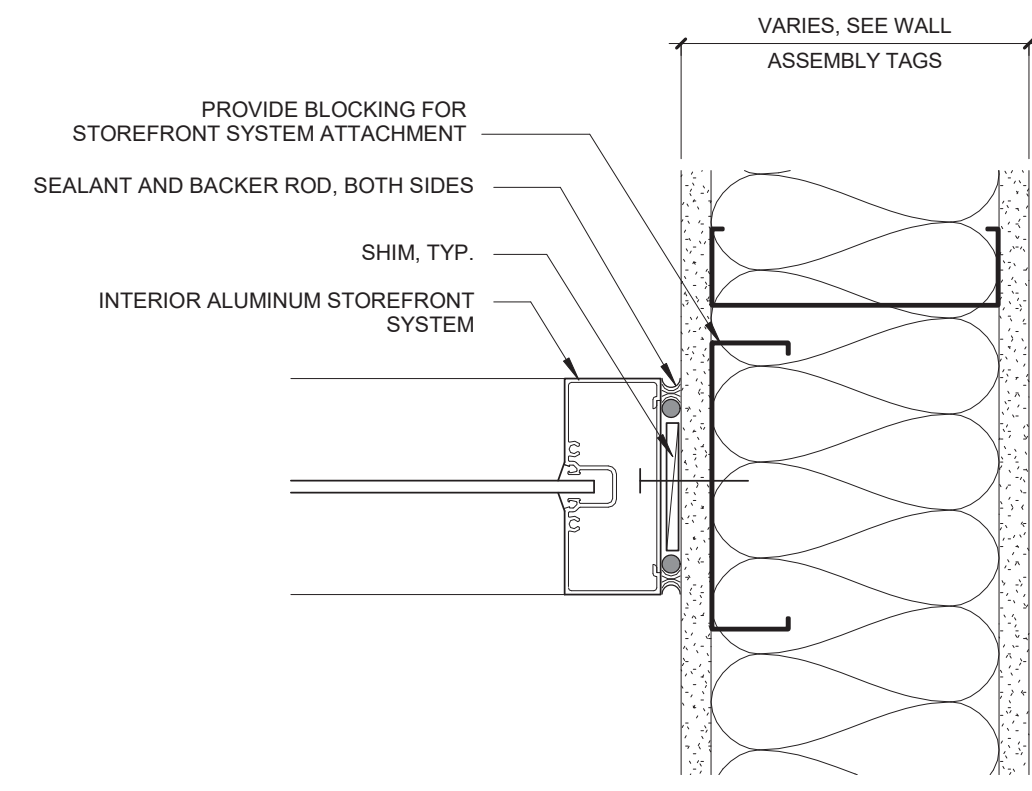
7 STOREFRONT JAMB, TYP
3" = 1'-0"



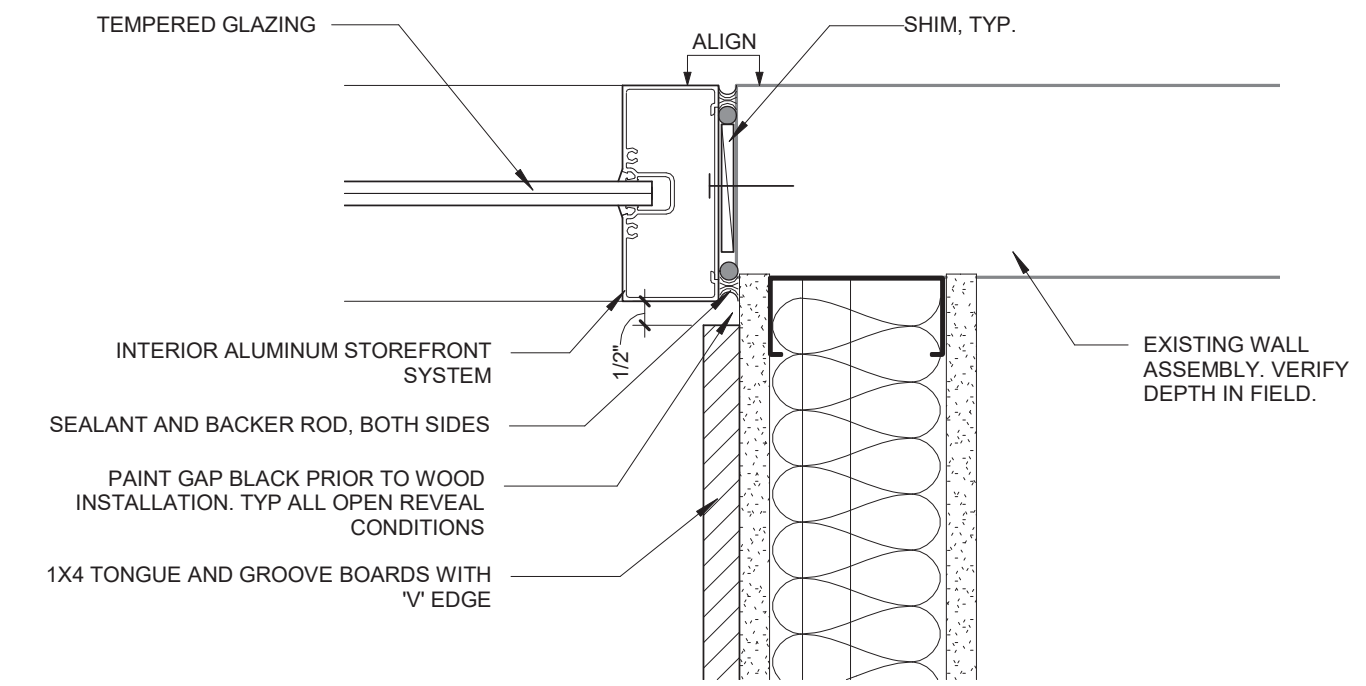
6 STOREFRONT HEAD, TYP
3" = 1'-0"



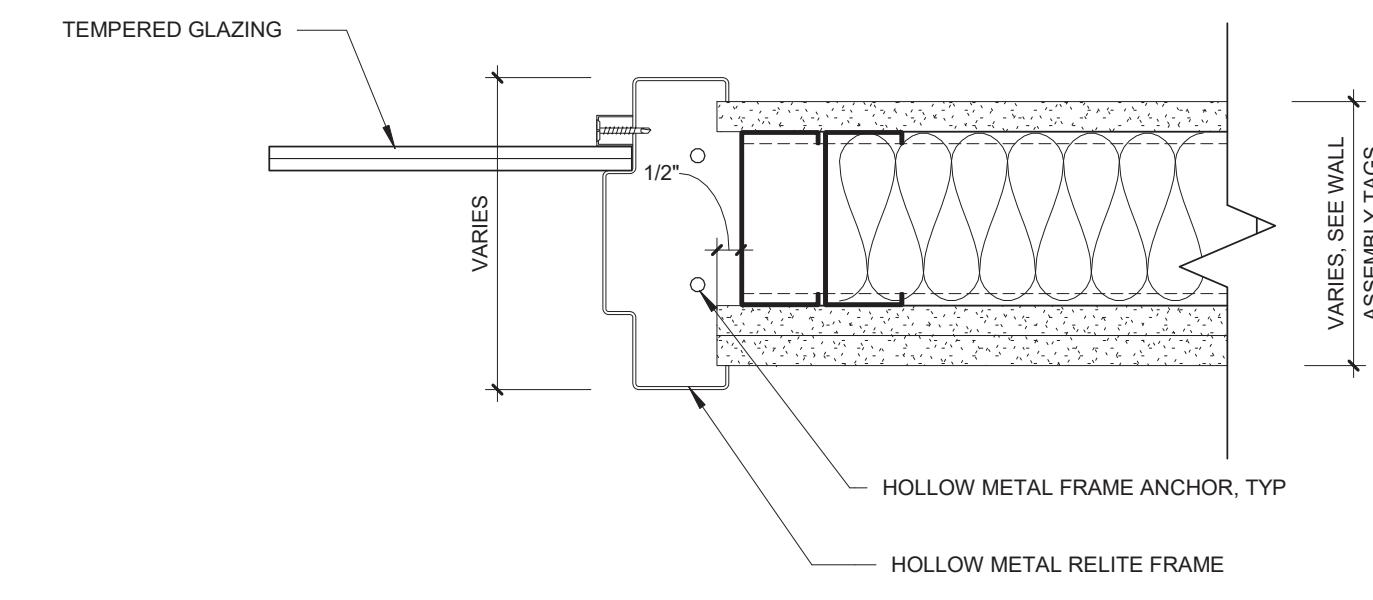
5 STOREFRONT SILL, TYPICAL
3" = 1'-0"



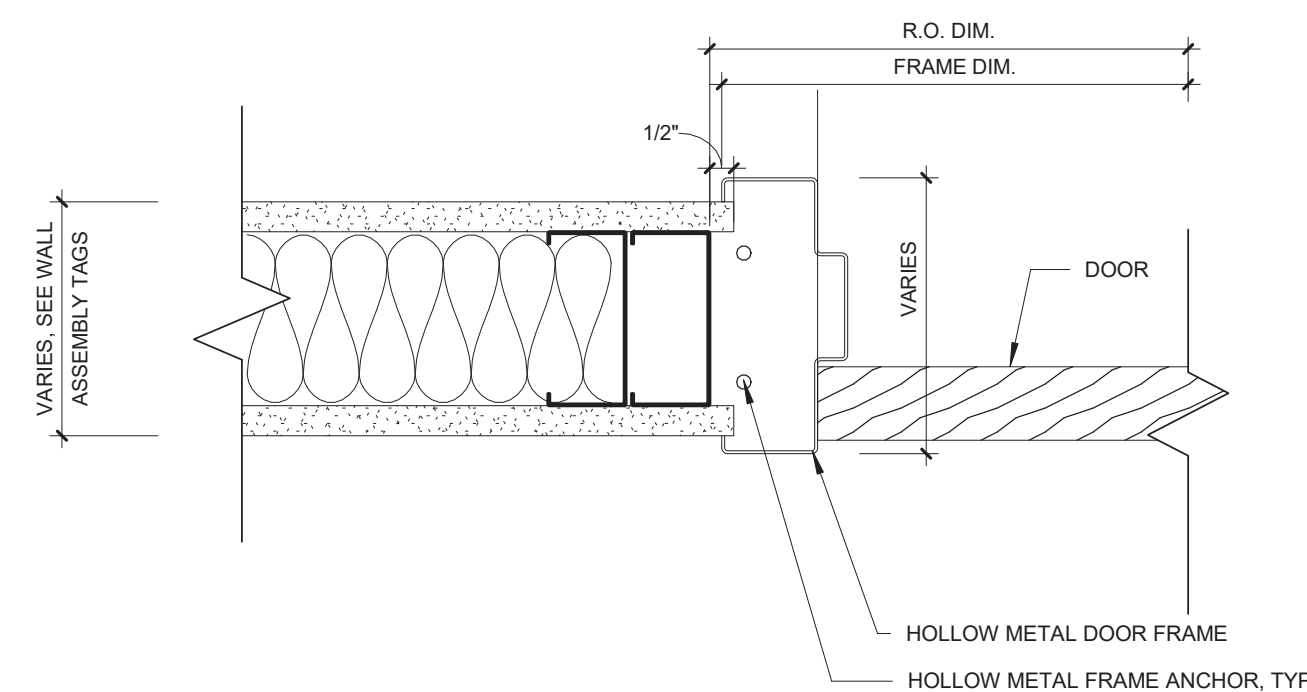
4 STOREFRONT JAMB AT PERPENDICULAR WALL
3" = 1'-0"



3 STOREFRONT JAMB AT WOOD WALL PANEL
3" = 1'-0"



2 HOLLOW METAL JAMB DETAIL AT RELITE
3" = 1'-0"



1 HOLLOW METAL JAMB DETAIL
3" = 1'-0"