



## EVERGREEN FAMILY & WOMENS HEALTH

1937 West Harvard  
Roseburg OR 97471

---

### ADDENDUM #5

Date Issued: April 26 2019

THIS ADDENDUM MODIFIES THE BIDDING DOCUMENTS FOR THE ABOVE PROJECT TO THE EXTENT INDICATED HEREIN AND ALL PORTIONS OF THE DOCUMENTS NOT SPECIFICALLY AFFECTED BY THIS AMENDMENT SHALL REMAIN IN FULL FORCE AND EFFECT. ALL ADDENDUM ITEMS SHALL BE ADDED TO AND FORM A PART OF THE BIDDING DOCUMENTS.

SOME OF THE FOLLOWING CHANGES, NOTED BELOW, HAVE ALREADY BEEN INCLUDED IN THE BID SET OF DOCUMENTS.

---

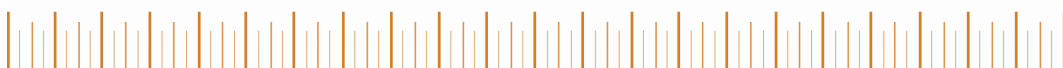
#### ARCHITECTURAL DRAWINGS

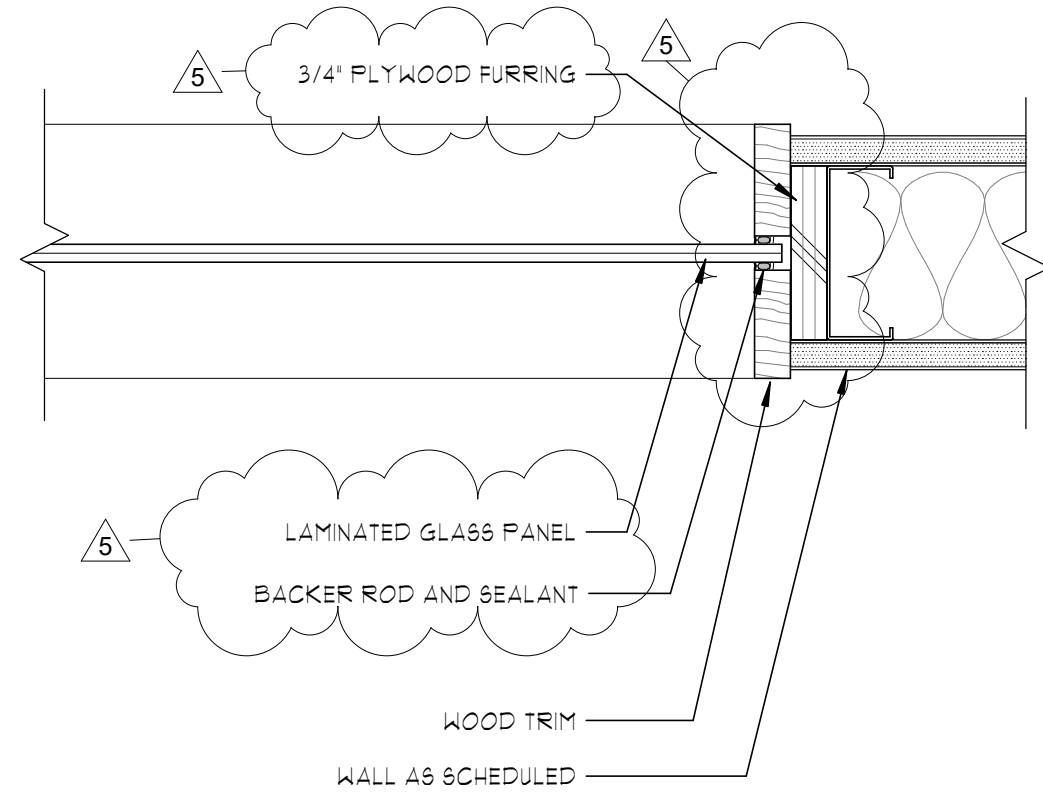
1. Interior re-lite windows are to be laminated glass, directly set in wood jambs. Previously specified aluminum mounting channels will be omitted whenever possible.

#### ADDENDUM ATTACHMENTS

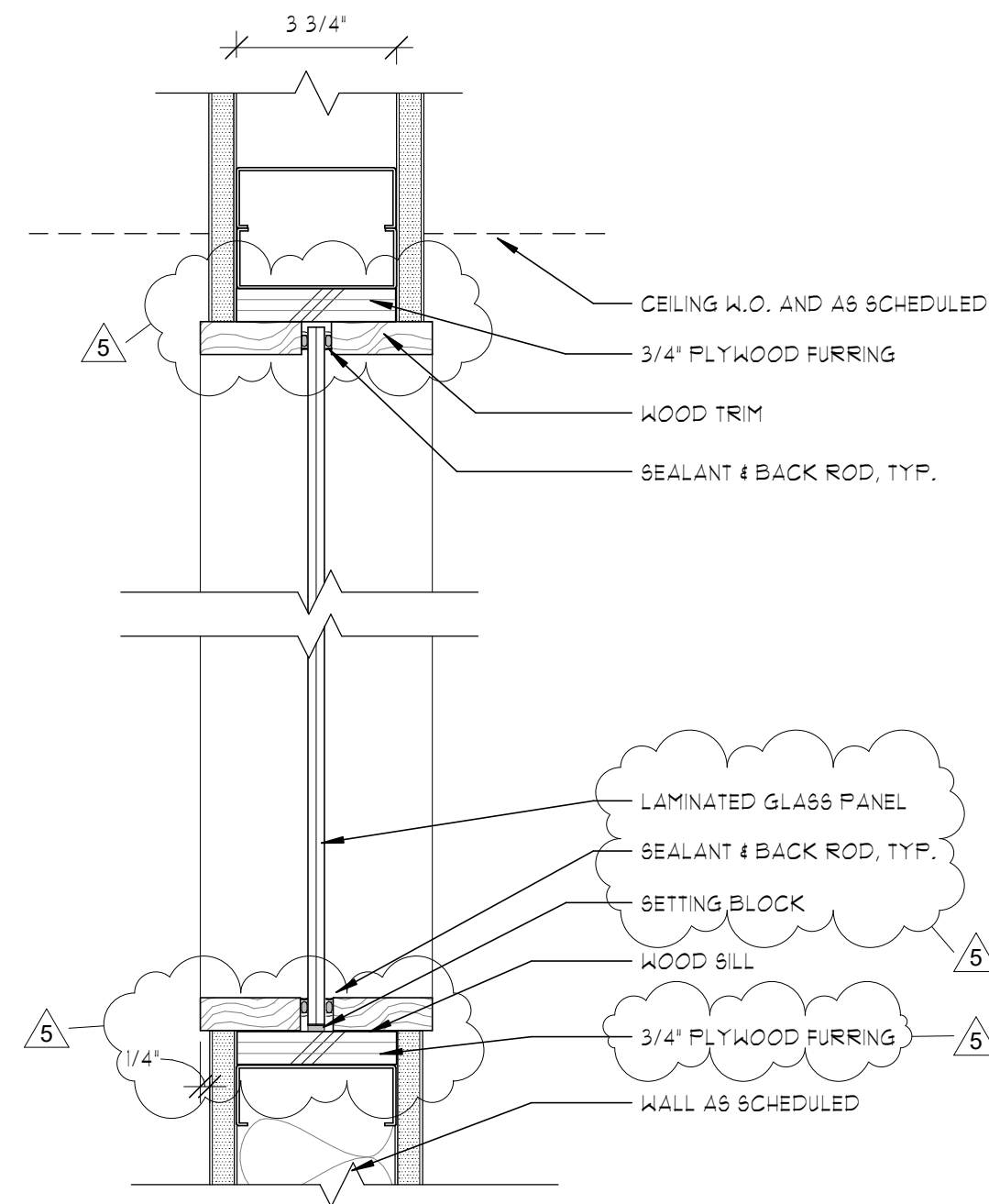
1. Sheet A601 with updated re-lite details

END ADDENDUM #5

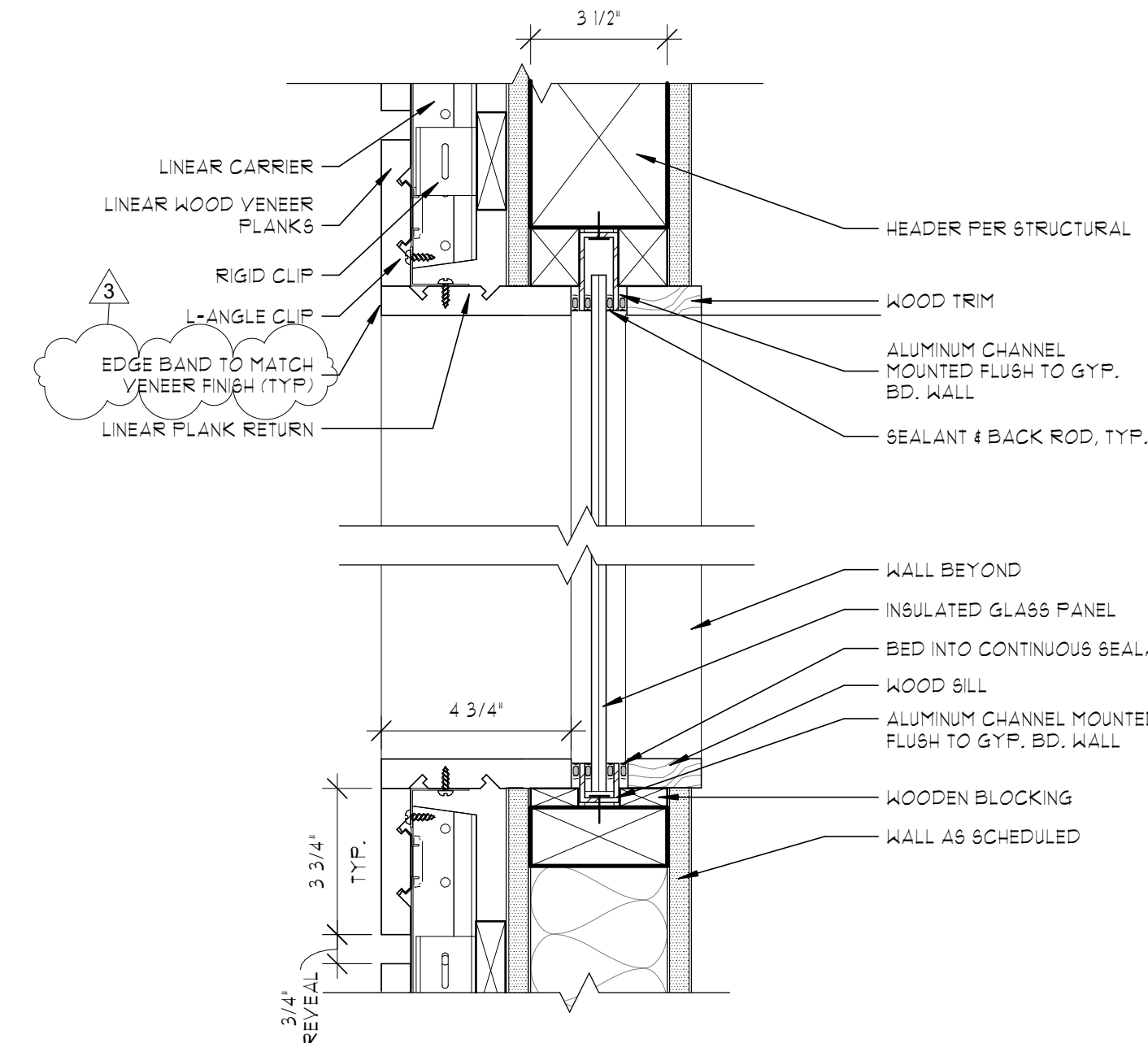




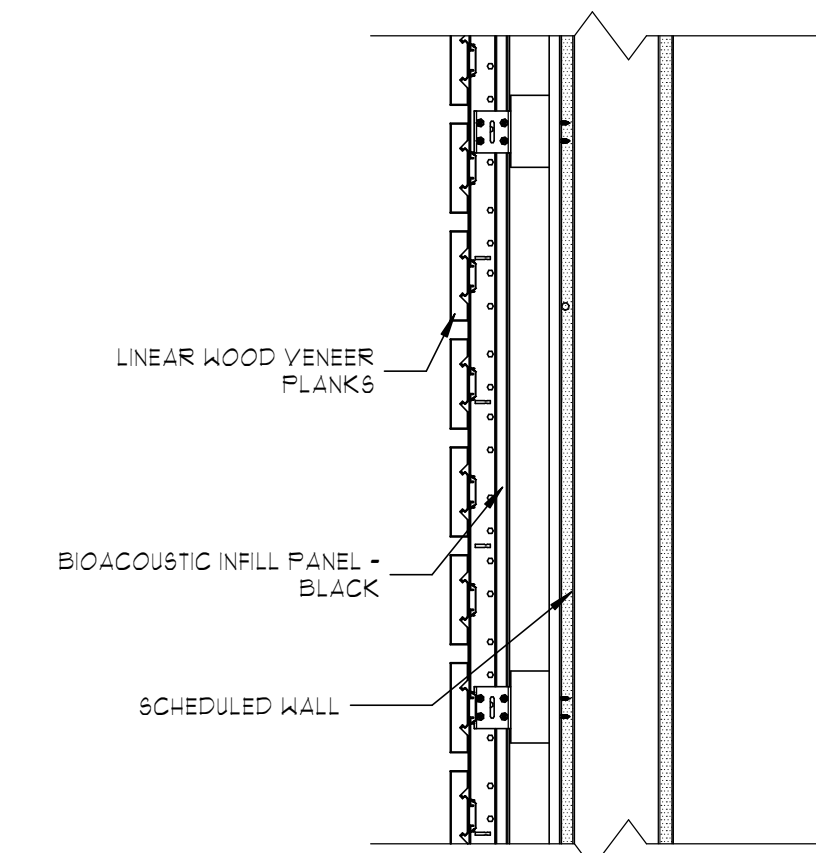
**1 RE-LITE JAMB**  
3" = 1'-0"



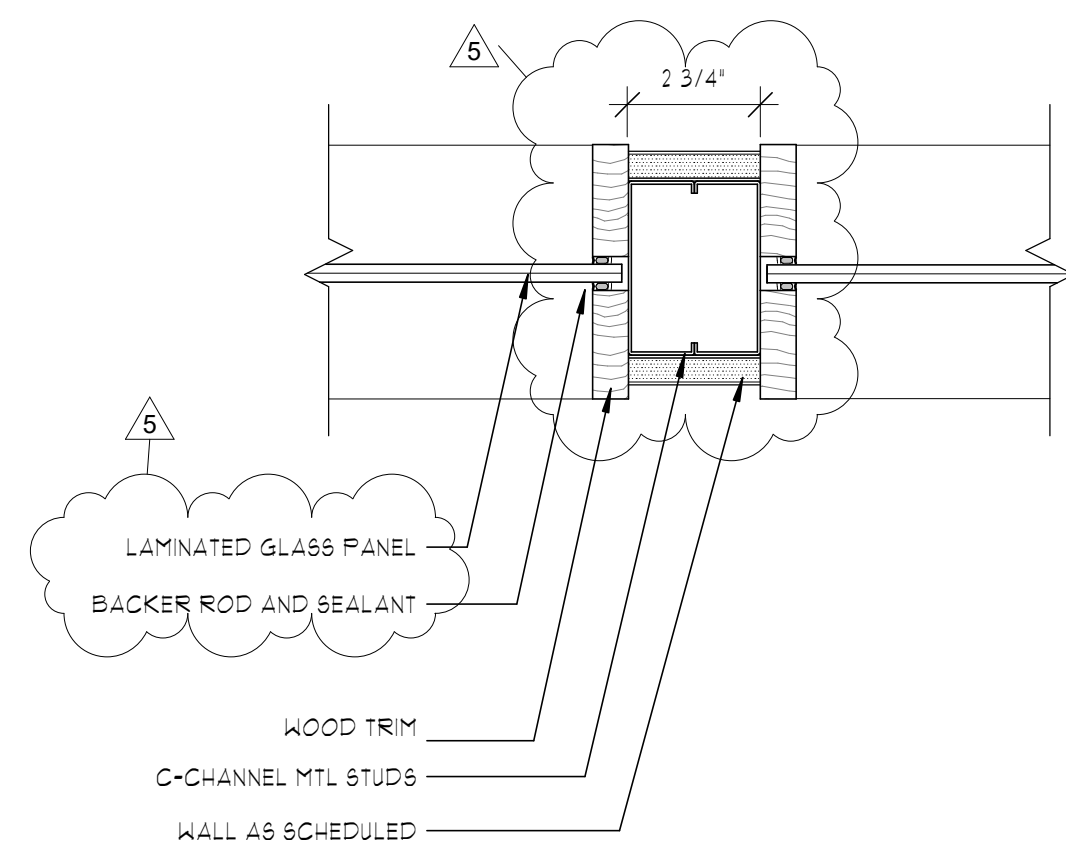
**2 RE-LITE SILL/HEAD**  
3" = 1'-0"



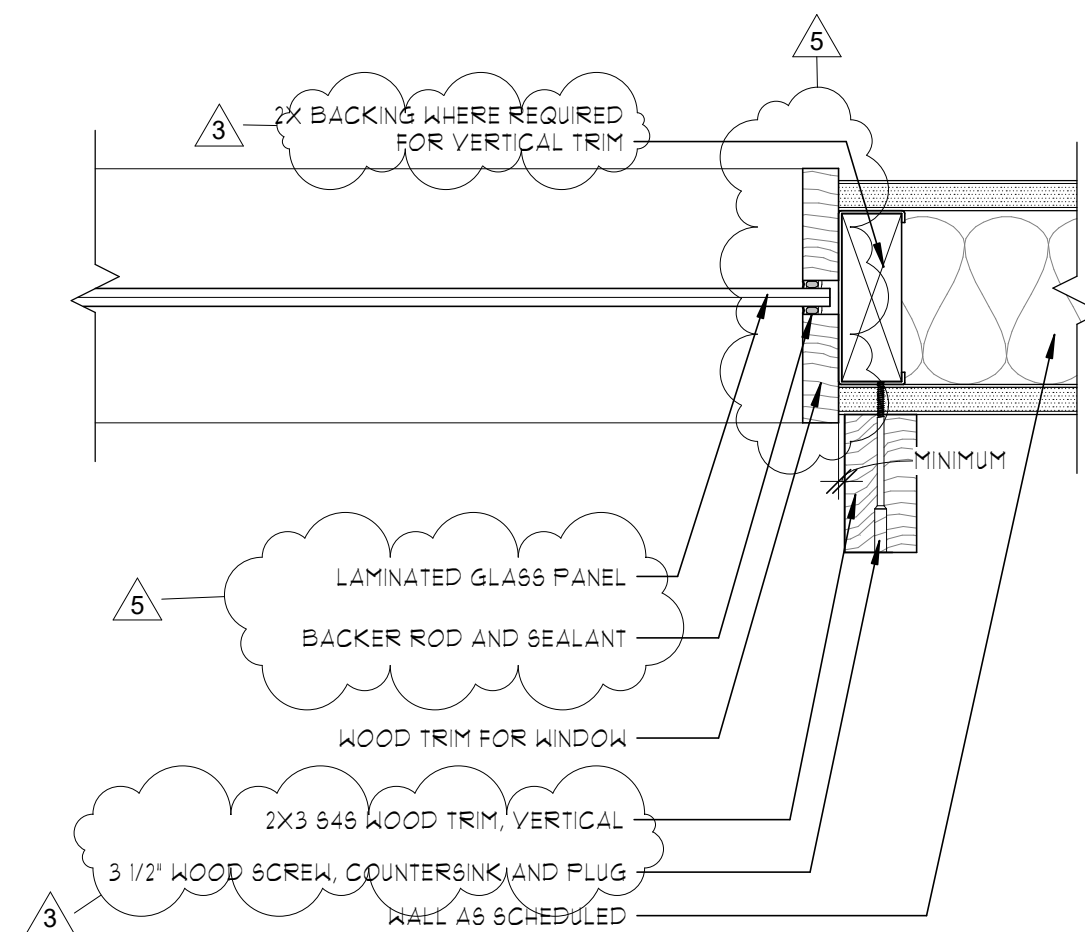
**3 RECEPTION DESK INTERIOR WINDOW**  
3" = 1'-0"



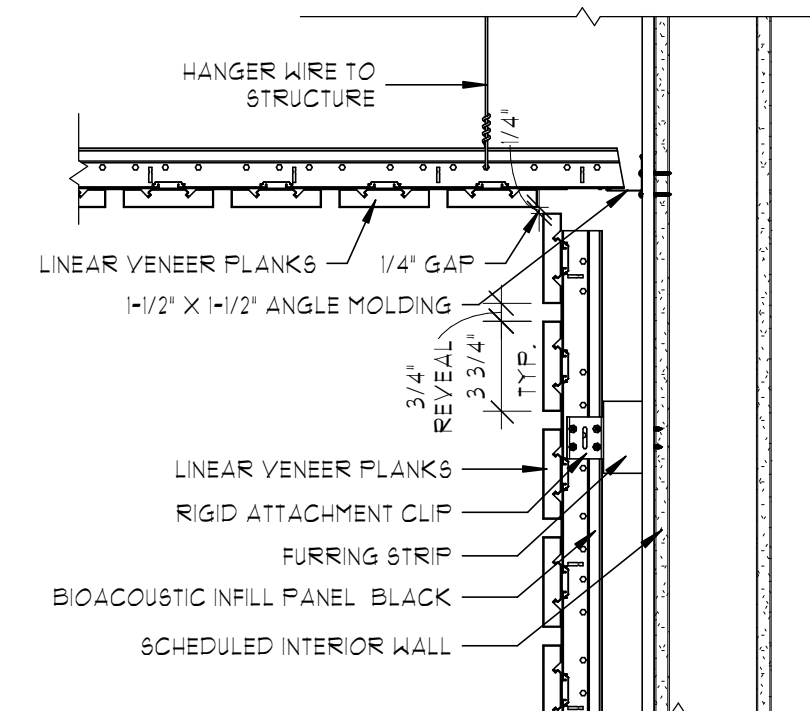
**4 RECEPTION-WOOD WALL-FASCIA**  
1 1/2" = 1'-0"



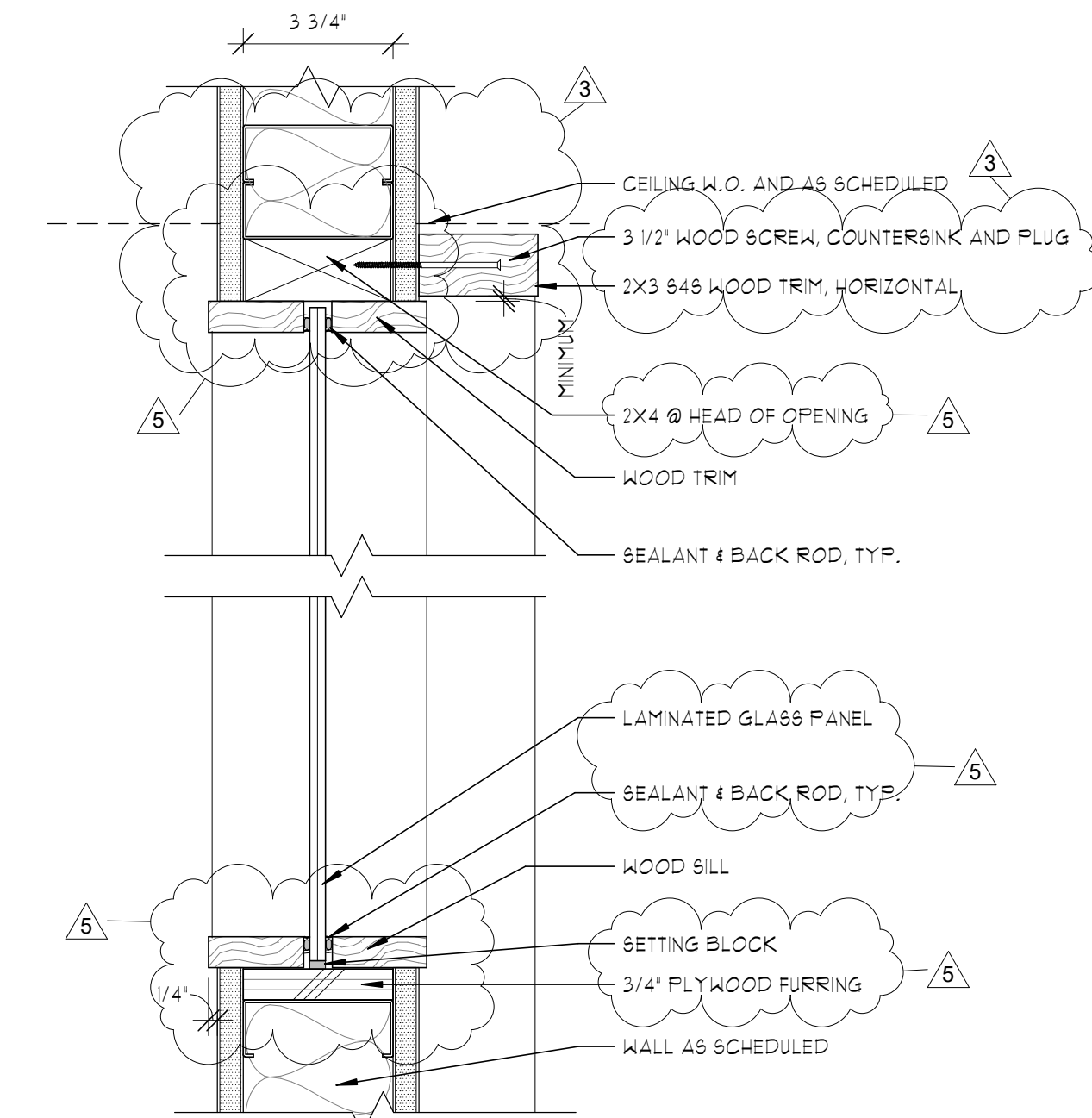
**5 RE-LITE JAMB BETWEEN WINDOWS**  
3" = 1'-0"



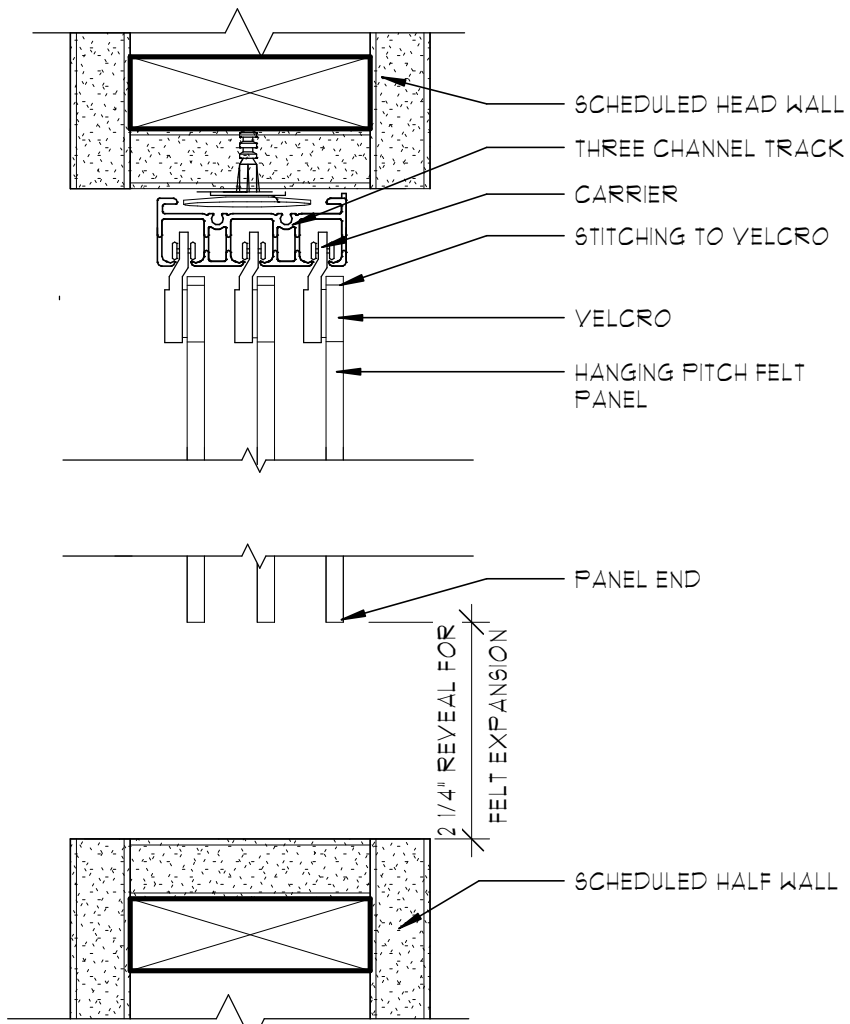
**6 VERTICAL TRIM @ RE-LITE JAMB**  
3" = 1'-0"



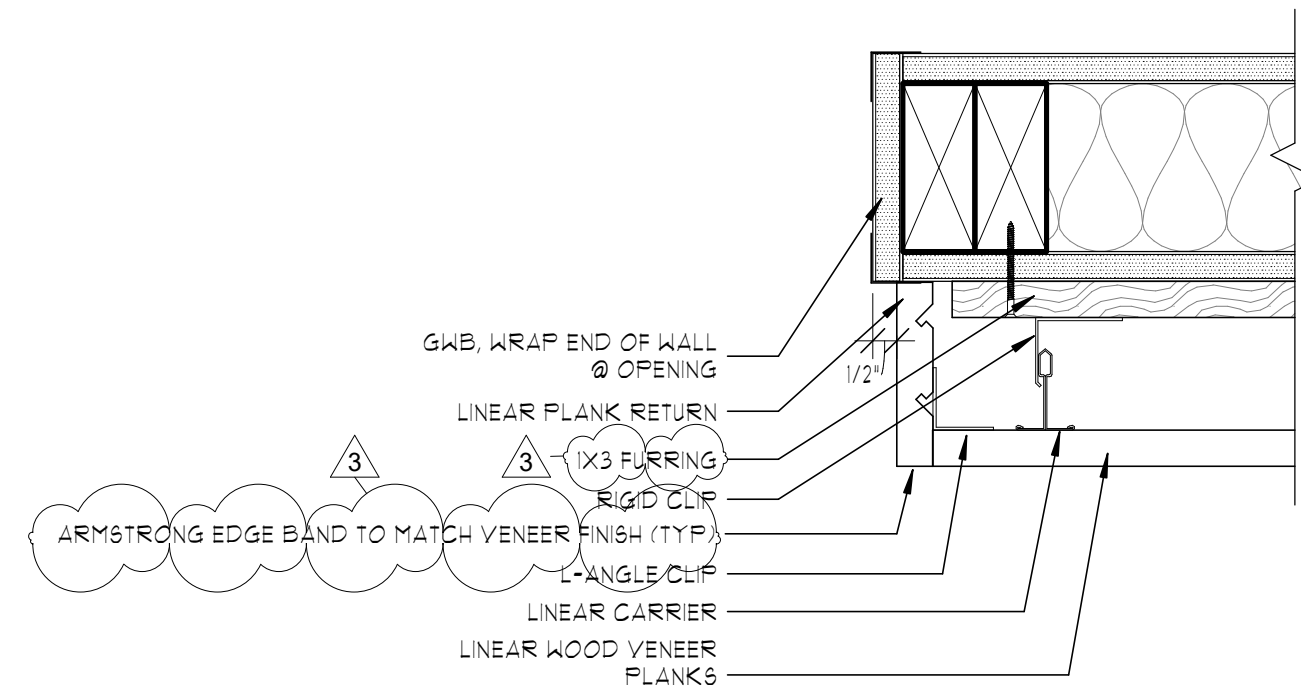
**7 ARMSTRONG WALL TO CEILING @ WAITING**  
1 1/2" = 1'-0"



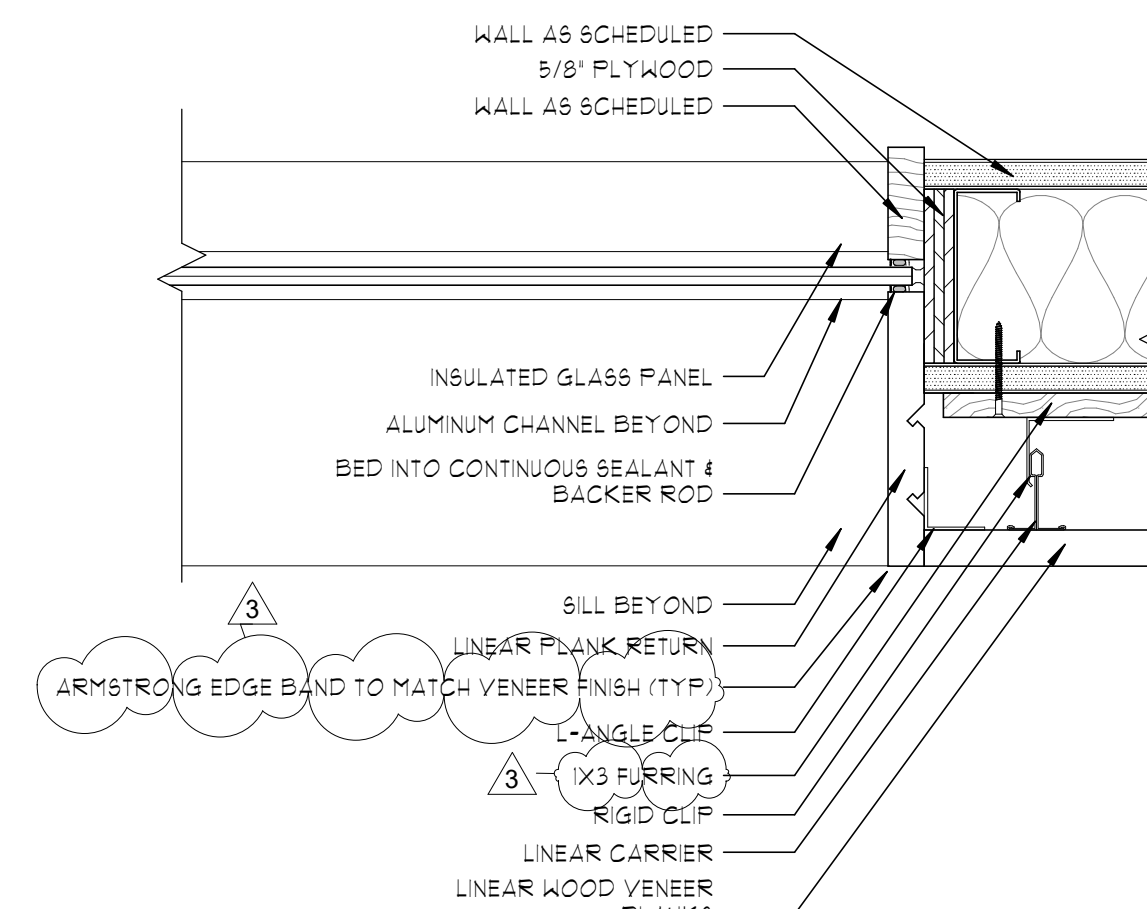
**8 HORIZONTAL TRIM @ RE-LITE JAMB**  
3" = 1'-0"



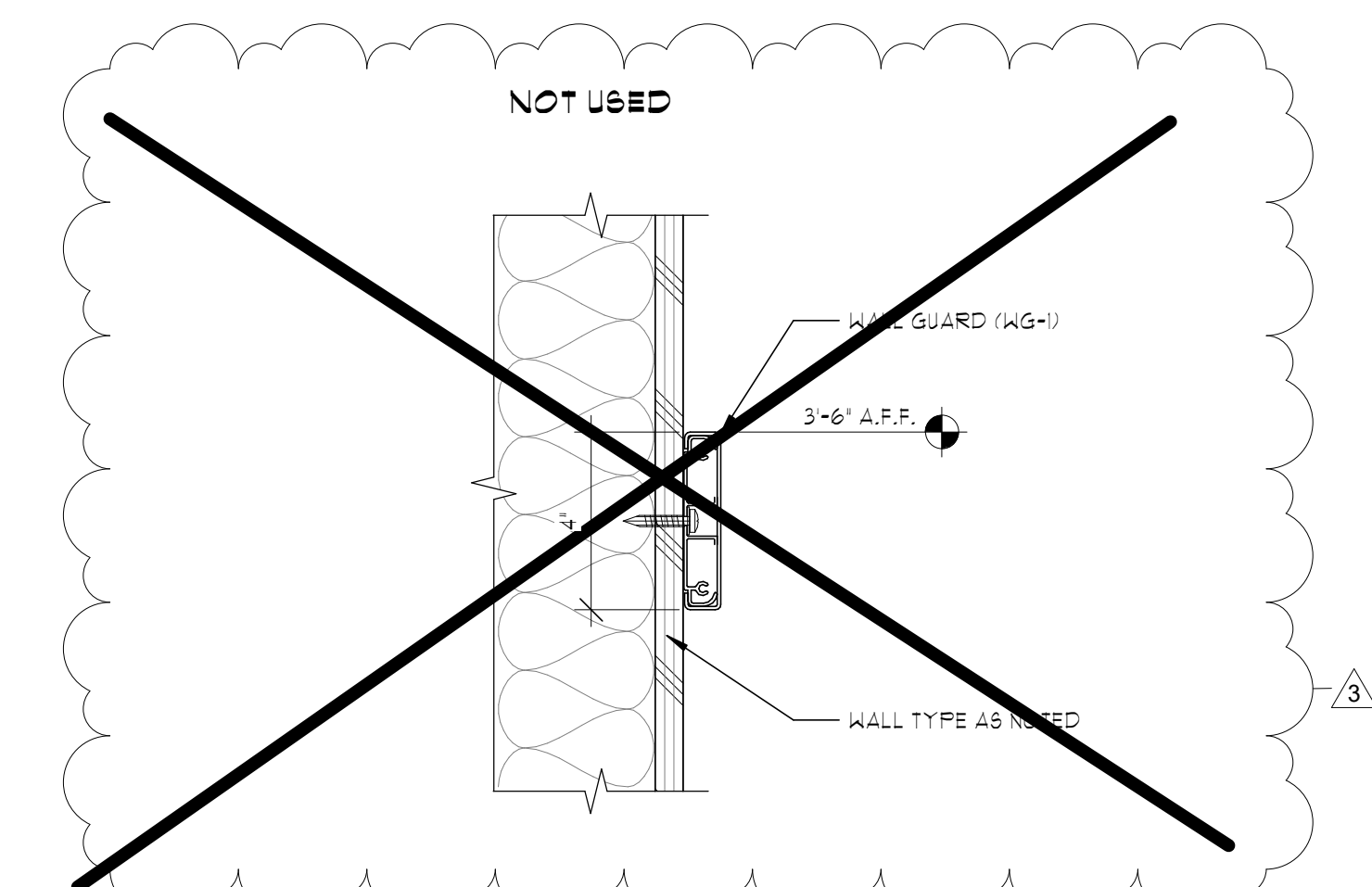
**9 FILZFELT HANGING PANEL**  
6" = 1'-0"



**10 DOOR OPENING @ WOOD PLANKS**  
3" = 1'-0"



**11 WINDOW JAMB @ WOOD PLANKS**  
3" = 1'-0"



**12 CHAIR RAIL**  
3" = 1'-0"

BY	DATE	REFERENCE
BY	4/4/19	Bo Addendum 1
BY	4/8/19	Bo Addendum 2
BY	4/12/19	Bo Addendum 3
BY	4/16/19	Bo Addendum 4
BY	4/26/19	Bo Addendum 5

DRAWING BY: A/WH  
REVIEWED BY: R. SHUGAR  
PROJECT NO: 18003  
DATE: 3/22/2019  
DRAWING TITLE